

ASET

ADVANCE SUN ELECTRICAL TECHNOLOGY



COMPANY PROFILE

CABLE MANAGEMENT ACCESSORIES



Sustainable Electrical Solutions

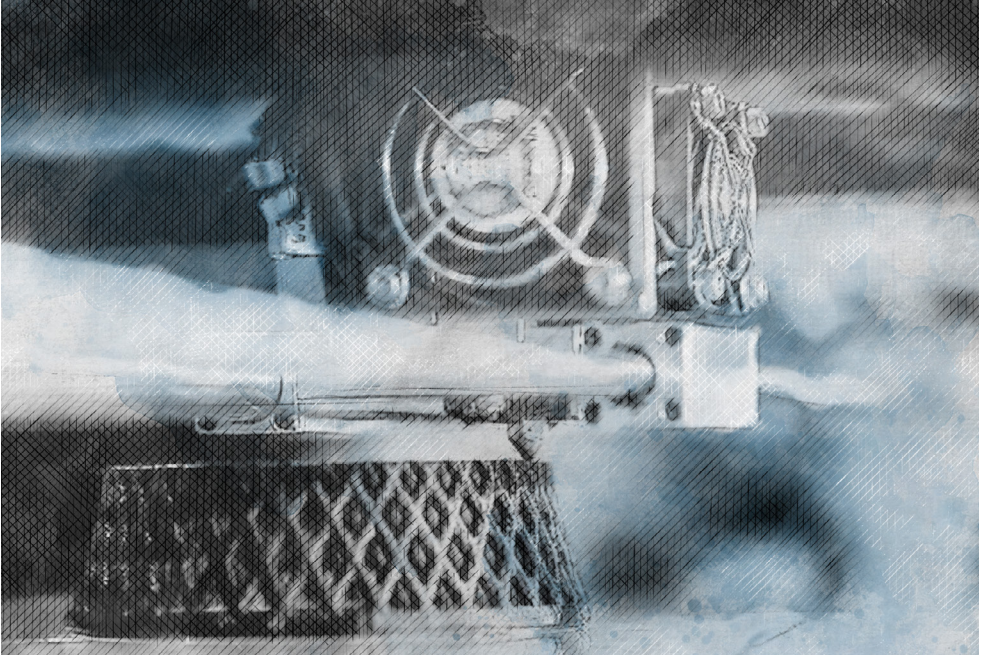
ASET designs and manufacturer's Electrical Accessories for Installation in industrial application's

- **Professional Research & Development Team**
Our team is constantly improving and optimising existing products and working directly with clients that have special requests from site specifications.
- **Industrial Grade Manufacturing**
We have curated traditional manufacturing process's with advance up to date fabrication techniques to provide an efficient work flow
- **Growing Portfolio of products & Custom Bespoke Parts**
As demand for specialised fittings and accessories has gradually developed, so has our Capability to keep up with the demand
- **Made in the United Arab Emirates**
Available world wide



What We Offer

As electrical needs have become more and more demanding, generating power has become diverse. We provide industrial products and solutions for the electrical & cable management segment.



Why Choose Us

- **Experience Advisor Support**
Our team focusses on providing products to suit various applications and cover many Standards and norms, such as IEC, BS, NEC, ETC
- **Sustainable Approach**
Our production cycle allows us to achieve near zero wastage of raw materials. We ensure To encourage eco-friendly diversification
- **Rapid Prototyping**
We cater to engineers who are looking for solution's outside the means of conventional Strategies
- **Made to order Custom Parts**
We support and provide small batch manufacturing where there is no Minimum Order quantity

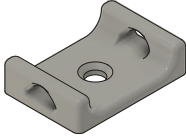
We Manufacture

- Cable Clips & Mounts
- Cable Management Accessories
- GRP Junction Box & Accessories
- Conduit Fittings & Accessories

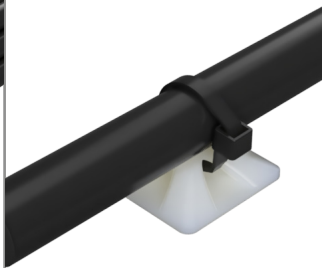
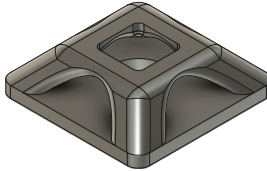
Our team is currently working and developing several other products in the cable management sector and the catalogue will be updates on regular bases.

CABLE CLIPS & MOUNTS

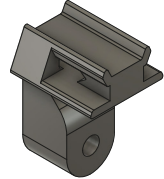
2 WAY CABLE TIE BASE MOUNT



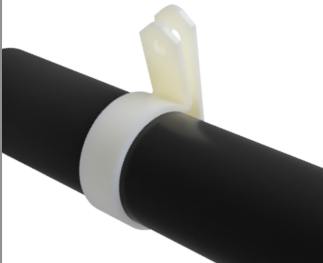
4 WAY CABLE TIE BASE MOUNT



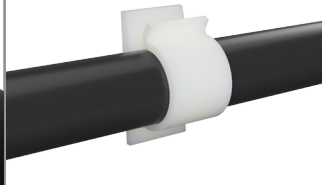
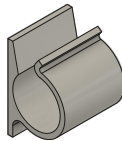
RIGHT ANGLE CABLE TIE MOUNT



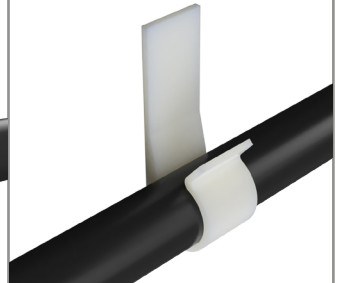
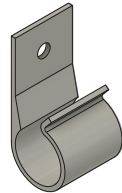
P - CLIP LOOP MOUNT



J CLIP MOUNT - SHORT



J CLIP MOUNT - LONG

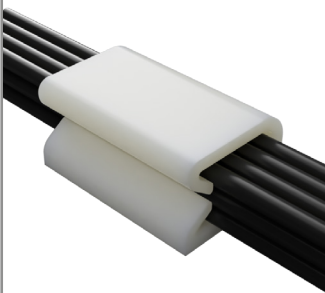
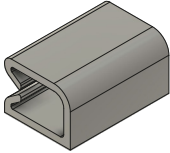


PRODUCT RANGE

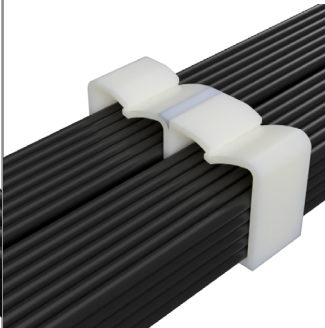
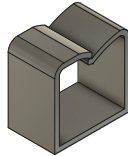
ASET
ADVANCE SUN ELECTRICAL TECHNOLOGY

CABLE CLIPS & MOUNTS

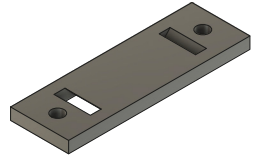
BEVEL ENTRY SNAP ON CLIP



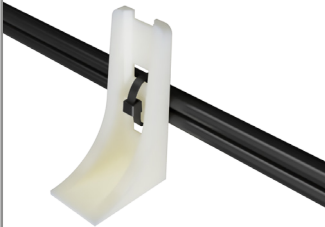
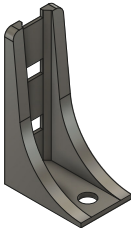
D CLIP DATA MOUNT



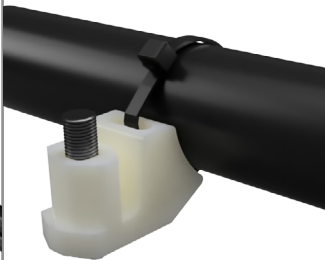
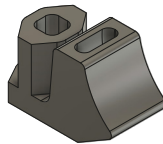
CABLE TIE MOUNTING PLATE



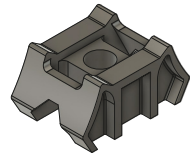
STAND OFF POST MOUNT



SELF TAPPING BOLT STUD MOUNT

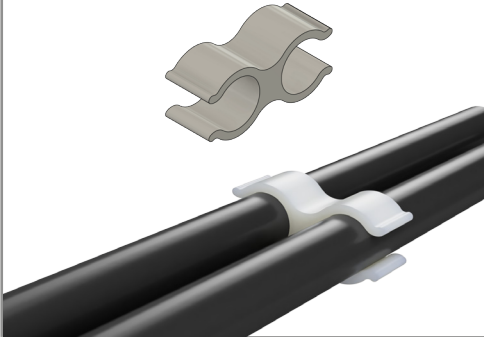


BOLT STUD MOUNT

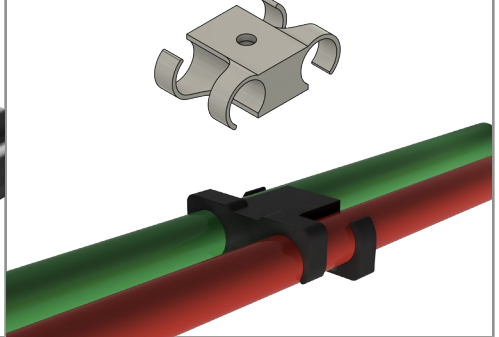


CABLE SPACER & DIVIDERS

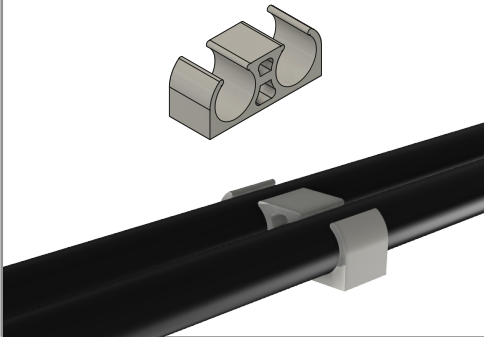
TWIN PARALLEL SPACER - LIGHT



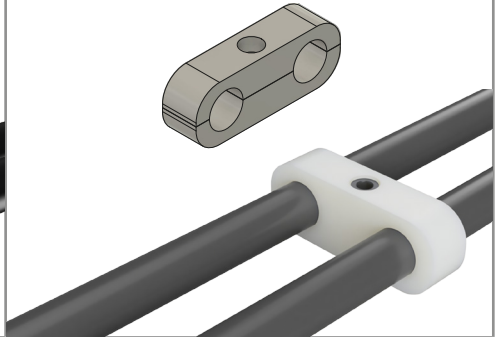
TWIN PARALLEL SPACER - HEAVY



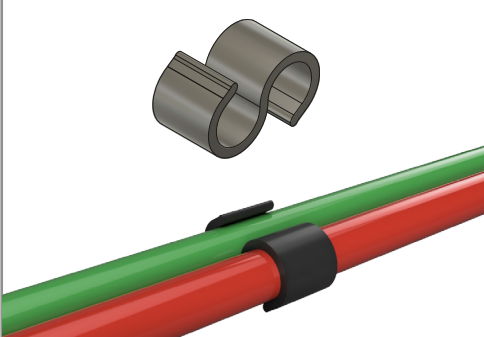
MULTI PARALLEL SPACER - LIGHT



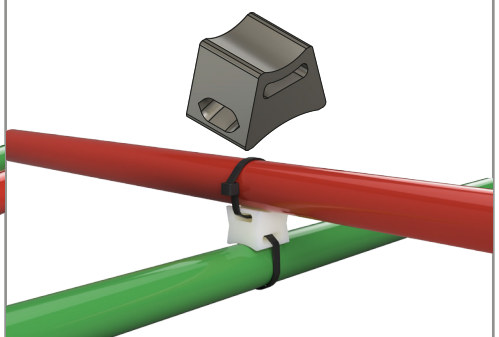
MULTI PARRALLEL SPACER - HEAVY



TWIN S TYPE CABLE DIVIDER



HANGING TYPE CROSS SPACER

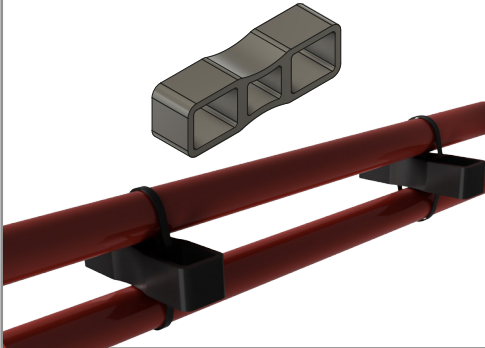


PRODUCT RANGE

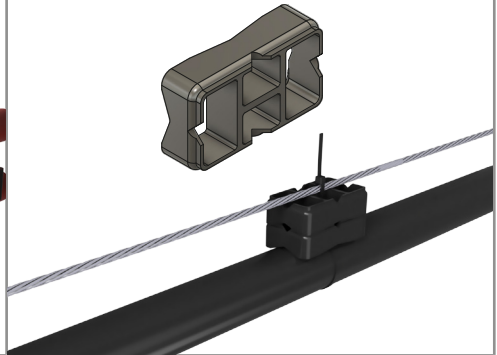
ASET
ADVANCE SUN ELECTRICAL TECHNOLOGY

CABLE SPACER & DIVIDERS

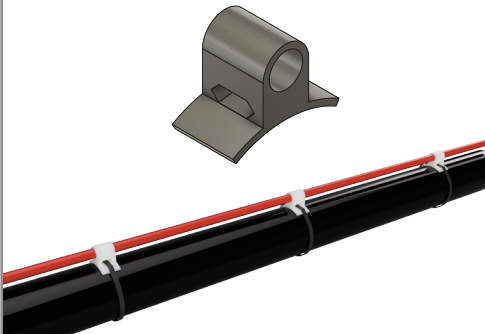
TWIN CABLE DIVIDER



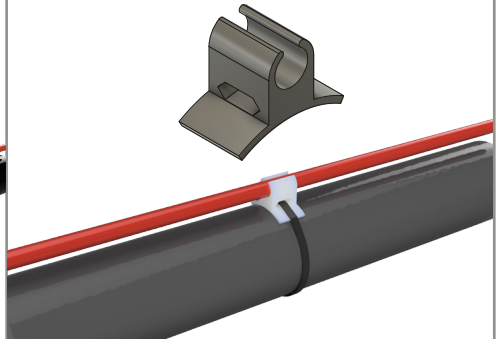
MULTI STEP CABLE HANGER



HANGING TYPE CLOSED SPACER



HANGING TYPE SEMI CLOSED SPACER

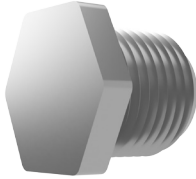


JUNCTION BOX ACCESSORIES

STOPPING PLUG



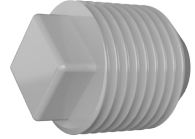
DOME HEAD



HEX HEAD

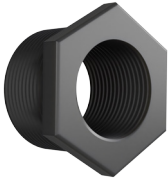


TAMPER PROOF

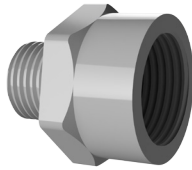


HEX HEAD

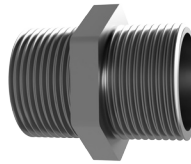
THREAD CONVERTORS



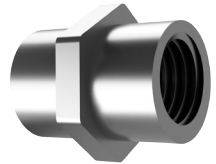
REDUCER



ADAPTOR

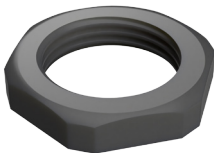


UNION (M x M)



Union (F x F)

LOCKNUT



IP WASHER



FIBER



NYLON

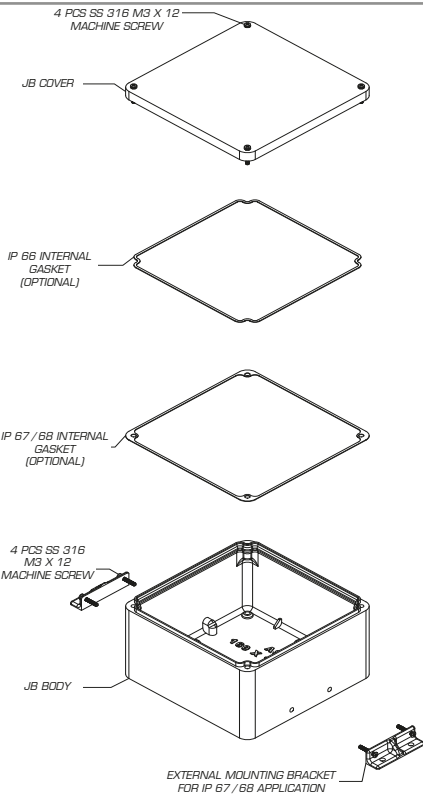
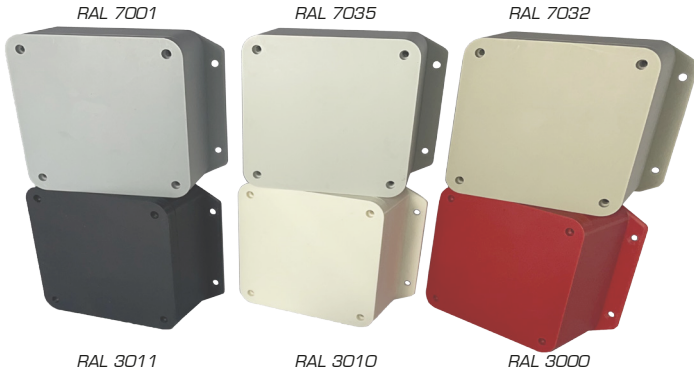


EPDM

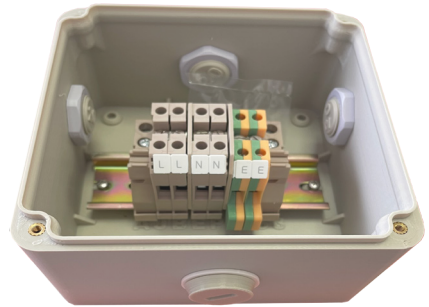
PRODUCT RANGE

ASET
ADVANCE SUN ELECTRICAL TECHNOLOGY

JUNCTION BOX - NON METALLIC



NON - METALLIC

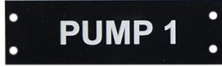


GRP

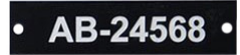


NON - METALLIC LABELS & TAGS

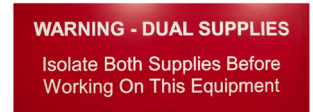
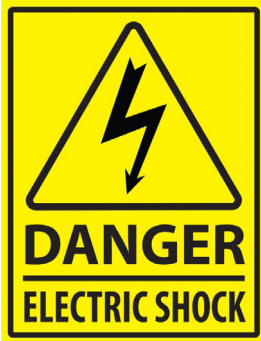
Cable Identification Tags



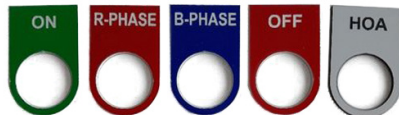
Distribution Board Tags



Warning Labels



Switch Labels



PRODUCT RANGE

ASET
ADVANCE SUN ELECTRICAL TECHNOLOGY

CUSTOM FABRICATION PRODUCTS

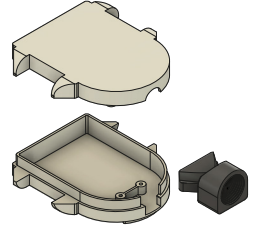
GRP / FRP SOLAR PANEL HINGE



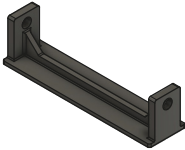
INSULATED ADAPTOR



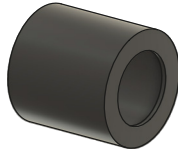
CUSTOM PLUG ADAPTOR



HVAC CABLE SUPPORT



CONDUIT END CAP



CHANNEL END CAP



PIPE RUBBER BUSHING



GRP LEVELING FOOT



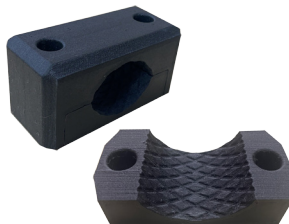
UNDER FLOOR DRIVER HOUSING MOUNT



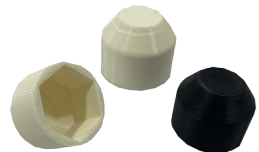
OVAL RUBBER GROMMET



CABLE GLEATS



BOLT END CAP





ASET

ADVANCE SUN ELECTRICAL TECHNOLOGY
APRIL 2023 EDITION